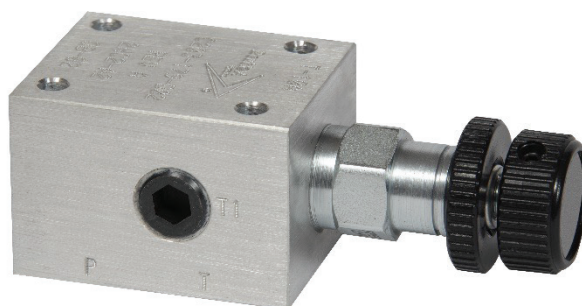


Double A
Hydraulics



QB series 02
relief valve
pilot operated,
subplate mounted



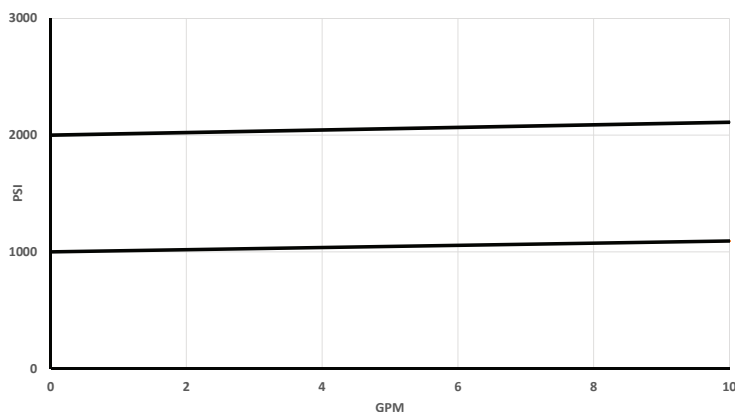
3000 psi, 10 gpm

536 TOWNSHIP LINE ROAD
FLUID TECHNOLOGY ANNEX
BLUE BELL, PENNSYLVANIA 19422
Tel: 215.643.0617
Fax: 216.643.4017
sales@doubleahydraulics.com
www.doubleahydraulics.com

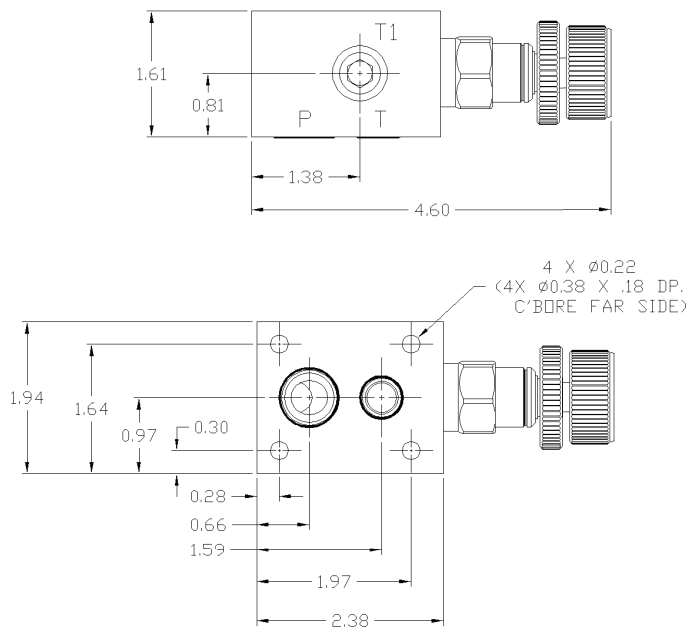
TECHNICAL DATA

- Not suitable for load holding due to spool leakage
- Will accept maximum pressure at Tank port
- Tank port pressure is additive to relief setting at a 1:1 ratio
- Maximum valve leakage @110 SUS: 2 cubic inches/min at 1000 psi
- Typical response time: 10 ms
- Viscosity 35-2000 SUS
- Temperature
 - 22 to 230F (Buna Seals)
 - 10 to 250F (Viton Seals)
- Locknut torque 80-90 lbf-in
- Body material: T6061-T6 Aluminum, uncoated

PRESSURE DROP DATA



DIMENSIONS



ORDERING INFORMATION

